

Indoor change machines

Easy PRO

The compact and versatile best selling machine by Comestero

The most imitated change machine of the range has been entirely renovated and is now even more secure and reliable, thanks to the connection of installed peripherals via ccTalk.

The 32-bit CPU provides functions normally present only on change machines of higher range and price, such as importing/exporting configuration parameters, exporting accounting data and the useful function of machine cloning.

The reinforced closing mechanisms make Easy PRO one of the most secure change machines on the market with respect to attempts of tampering and fraud.

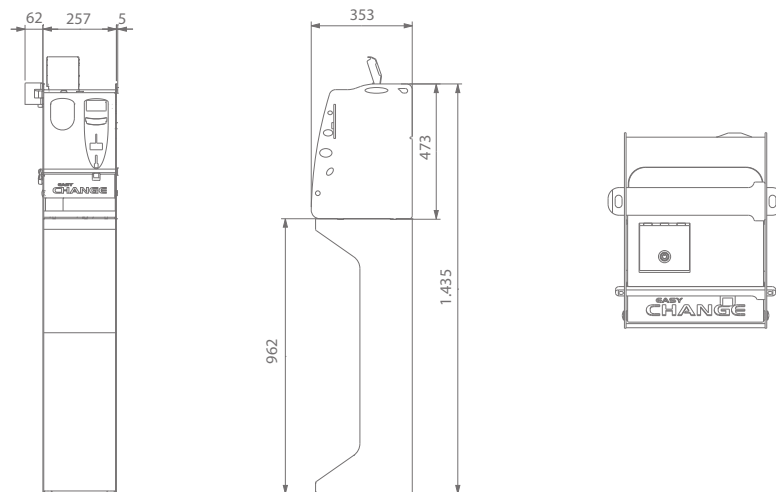
Easy PRO fits perfectly into all environments: shopping centres, gyms, airports, service stations, arcades, offices, bars and internet cafés.



Features

- Connection of peripherals via ccTalk.
- Distribution of coins or tokens.
- Bonus function for tokens.
- Coins/tokens dispensed automatically or manually.
- New 32-bit CPU with SD-Card.
- Exporting of accounting data and importing of configuration parameters via SD-Card.
- Machine cloning function.
- LCD graphic display.
- Special cover for the dispenser's extension: prevents coins from falling out in the event that the machine is tipped over.
- Wide range of installation options: wall mounted (with the Easy UP kit); countertop; wall mounted, by means of 3 anchoring bolts to be inserted at the back of the device; free standing on special base (optional).
- Holes in the cabinet for fastening the unit to other machines or to external structures such as columns or pillars.
- Internal on/off controls to prevent tampering.
- Pivoting door to facilitate dispenser-loading and cash box removal operations.

Technical Schematics



Note: Unit of measure: mm



Tools

Multiconfig

Software to configure the change machine.



Installed peripherals

- Evolution hopper with extension
- NV9 USB/NV10 USB banknote reader

Optional peripherals

- RM5 HD coin validator

Optional accessories

- BRAIN remote control device
- Kit for reinforcing change machines already in use
- Support base
- Easy UP installation kit
- Reprogrammable locks
- Steel protective bars

Technical Specifications

	Change machine	Change machine on support base
Dimensions (LxHxW)	257 x 473 x 353 mm	257 x 1,435 x 353 mm
Weight	25 kg	38 kg
Power supply	230 Vac - 50 Hz	230 Vac - 50 Hz
Power consumption	60 W max	60 W max
Operating temperature	3 °C ÷ 50 °C	3 °C ÷ 50 °C

Coin Capacity

	0.50 €	1.00 €	2.00 €
1 Evolution hopper with extension	2,400	2,400	2,200
Cash box		1,600	